



描述:

全塑三防配电箱外壳采用耐冲击的玻璃纤维增强聚脂材料制成，能承受最极端的工业运行条件，外壳盖和基座的结合面设计成凹凸形，设有泡沫硅橡胶密封结构，确保了 IP65 防护等级。

内装高分断小型断路器（漏电）、电动机保护开关，在交流 50/60Hz、电压 230/400V 的电路中，作为单向照明和三相动力系统配电、检修之用。可根据要求组合成不同回路的配电装置，除标准配置外，可根据用户要求另行设计。

- 模块化设计
- 透明操作窗方便操作
- 面板设有操作机构

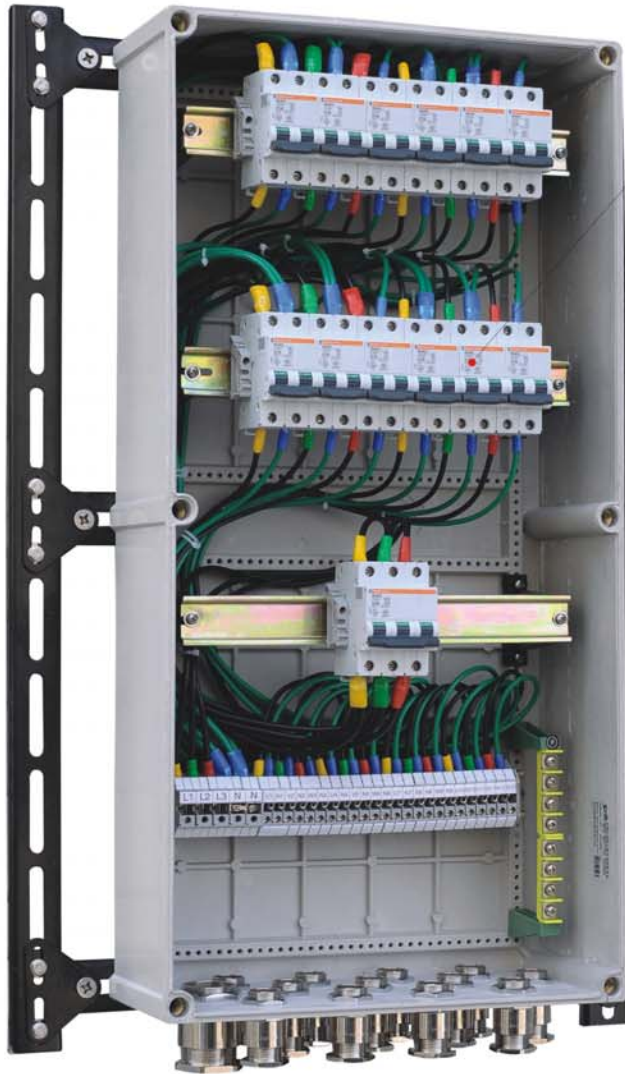
Descriptions:

The enclosure of full plastic weather-proof distribution box is made of glass fibre reinforced polyester which is resistant to impact. It is able to subject to the inverse industrial operating conditions. Concave-convex joint is designed between the cover and body to mount an air-foam silicone bar, which secure degree of protection IP65.

It houses high on-off miniature breaker (creep age), motor protection switch. It is used for distributing and overhauling of single-phase illumination and 3 phase power system in the circuit of 50/60Hz, voltage 230/400V. Different distribution systems may be combined according to the requirements. Besides the standard combinations, the explosion-proof distribution boxes may be designed as user's special requirements.

- Combined modular design.
- Transparent operation window make operation convenient.
- There is an operation mechanism on the panel.

• 示意图 Diagram:



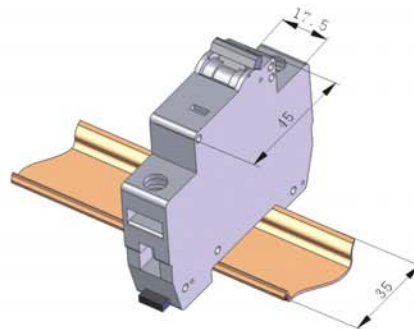
1P 小型断路器 (宽 17.5mm), 可装 12 个
1P miniature circuit breaker (width 17.5mm), can house 12

2P 小型断路器 (宽 35mm), 可装 6 个
2P miniature circuit breaker (width 35mm), can house 6

3P 小型断路器 (宽 52.5mm), 可装 4 个
3P miniature circuit breaker (width 52.5mm), can house 4

4P 小型断路器 (宽 70mm), 可装 3 个
4P miniature circuit breaker (width 70mm), can house 3

F



小型断路器
Miniature circuit breaker

● 主要数据 Main technical data:

防腐标志: WF2
 防护等级: IP65
 使用环境温度: $-40^{\circ}\text{C} \leq \text{Ta} \leq 55^{\circ}\text{C}$
 外壳材料: 玻璃纤维增强聚脂 (SMC)

照明动力配电箱

内装元件: C65小型断路器
 额定电压: 230V; 50 / 60Hz
 额定电流: 0.5 ~ 63A
 额定分断能力: 6kA、10kA
 脱扣特性: C、D 特性曲线

带漏电保护断路器

额定电流: 6 ~ 40A
 额定剩余动作电流: 30、300mA
 极数: 1P、2P、3P、4P、1P+N、3P+N

电磁起动配电箱

内装元件: LC1 交流接触器、LR2 热过载继电器
 C65/EDZ 塑壳断路器
 额定电压: 380 / 400V; 50 / 60Hz
 总开关额定电流: 40 ~ 630A
 支回路额定电流: 1 ~ 400A

动力检修配电箱

内装元件: EDZ 塑壳断路器
 额定电压: 380 / 400V; 50 / 60Hz
 总开关额定电流: 100 ~ 630A
 支回路额定电流: 40 ~ 100A

Corrosion-proof mark: WF2
 Degree of protection: Ip65
 Ambient temperature use: $-40^{\circ}\text{C} \leq \text{Ta} \leq 55^{\circ}\text{C}$
 Material of enclosure: glass fibre reinforced polyester (SMC)

Illumination power distribution boxes

Built-in component: C65 Miniature circuit breaker
 Rated voltage: 230V; 50 / 60Hz
 Rated current: 0.5 ~ 63A
 Rated of-off capacity: 6kA、10kA
 Trip character: C、D Characteristic curve

With electrical leakage protection circuit breakers

Rated current: 6 ~ 40A
 Rated remained action current: 30、300mA
 Numbers of pole: 1P、2P、3P、4P、1P+N、3P+N

Electromagnetic starting distribution boxes

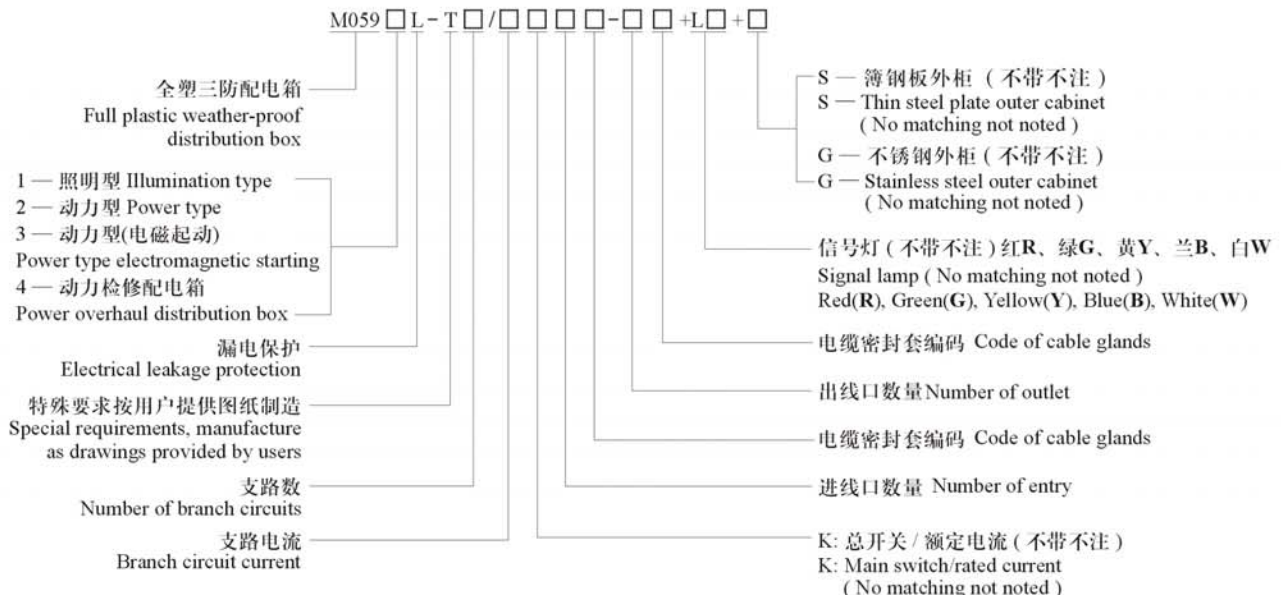
Built-in component: LC1 AC contractor, LR2 thermal overload relay
 C65/EDZ Moulded plastic circuit breaker
 Rated voltage: 380 / 400V; 50 / 60Hz
 Main switch rated voltage: 40 ~ 630A
 Branch circuit rated voltage: 1 ~ 400A

Power overhaul distribution boxes

Built-in component: EDZ Moulded plastic circuit breaker
 Rated voltage: 380 / 400V; 50 / 60Hz
 Main switch rated voltage: 100 ~ 630A
 Branch circuit rated voltage: 40 ~ 100A

● 订购规格 Order specifications:

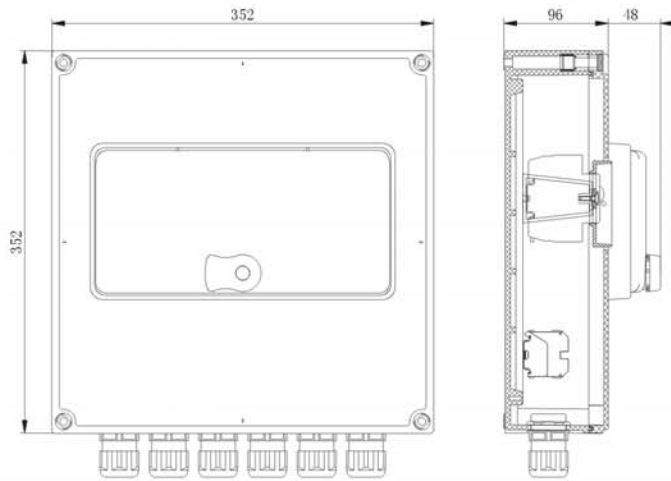
型号含义 Model implication:



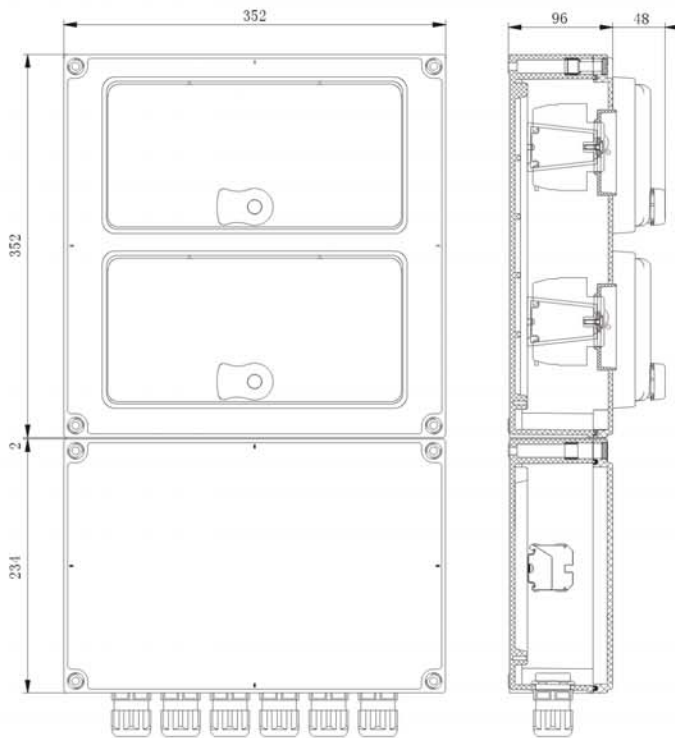
● 为了便于选型, 每个元件和附件都有一组特定的编码, 订购时只需填写编码即可。控制元件详见 A1/01~A1/16 页; 三防电缆密封套编码和技术参数参照 B1/24页, 如需选配其它电缆密封套, 参照 B/41~B/61页; 箱体和相关配套附件详见 C1/27~C1/28 页。

● Each component and accessory have a group specific code for convenient selection. That note the code is OK when ordering. For Ex control component see pages of A1/01~A1/16; For weather-proof cable gland see pages of B1/24; The related detailed technical data and code see page of B/41~B/61 when other cable gland is selected or required. For the box body and the relevant accessories see pages of C1/27~C1/28.

● 外形尺寸 Outline dimensions:



1P (12 回路带端子排) 1P (12 loops with terminals block)

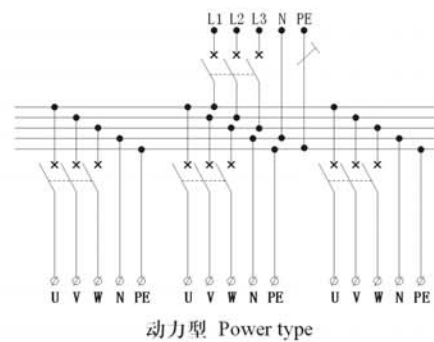
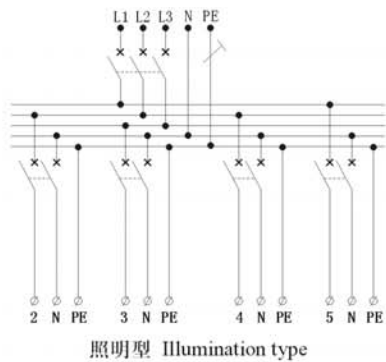


1P (24 回路带端子排) 1P (24 loops with terminals block)

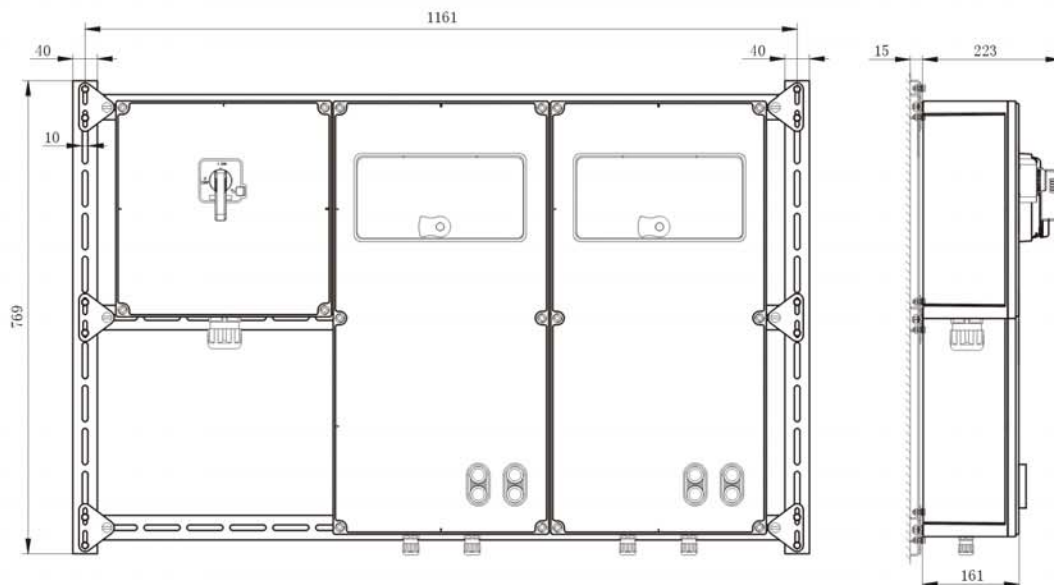
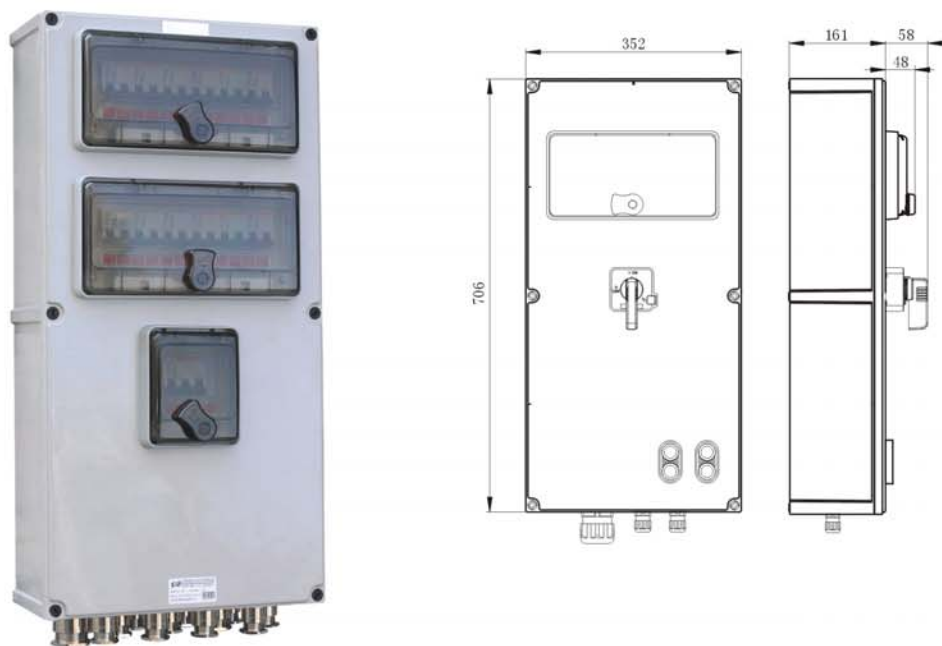


F

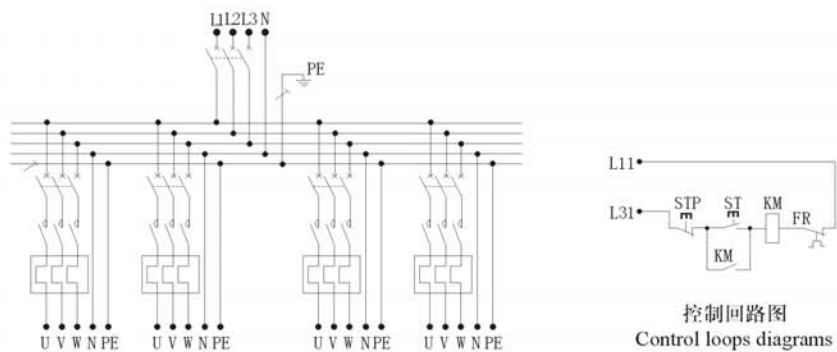
● 电气原理图 Electrical principal diagram:



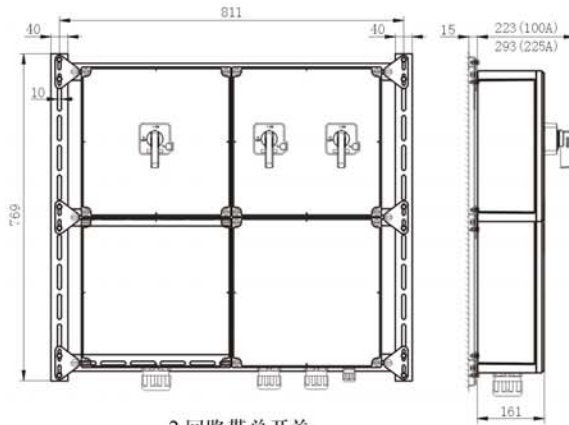
• 外形尺寸 Outline dimensions:



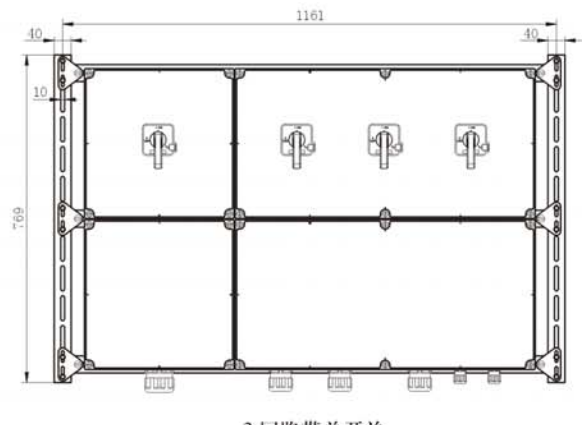
• 电气原理图 Electrical principal diagram:



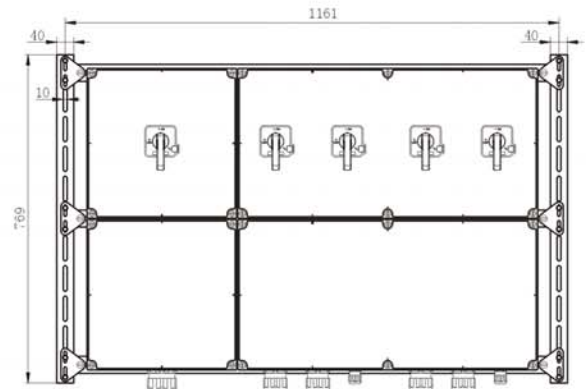
● 外形尺寸 Outline dimensions:



2 回路带总开关
2 loops with a main switch



3 回路带总开关
3 loops with a main switch



4 回路带总开关
4 loops with a main switch

● 电气原理图 Electrical principal diagram:

