



E

描述:

全塑三防接线盒外壳由耐冲击、耐高低温聚酰胺塑料制成，内装柱式螺旋端子便于接线和安装，可接入导线截面至 6mm^2 。

- 实用的外壳设计可以提供电缆从各个方向进行端子连接。
- 电缆引入口规格分有 M20、M25、M32，未使用的电缆引入口采用空塞堵头进行密封。
- 根据要求选用不同的电缆密封套。

Descriptions:

The enclosure of full plastic weather-proof terminal box is made of thermoplastic which is resistant to impact, and resistant to high and low temperature. It houses pole type spiral terminals which is easy to connecting conductors and install. The cross section of conductors which can be connected are up to 6mm^2 .

- A practical enclosure is so designed that the cable can connect to terminals from different directions.
- The sizes of cable inlet include M20, M25 and M32. The unused cable entry holes are closed by plugs.
- Cable glands are selected according to requirements.

主要数据 Main technical data:

防腐标志: WF2

防护等级: IP66

 使用环境温度: $-40^{\circ}\text{C} < \text{Ta} < 55^{\circ}\text{C}$

额定电压: 最大 AC 690V

额定电流: 最大 35A

端子型式: 柱式

 端子截面: $4\text{mm}^2/25\text{A}$ (每个柱状端子最多能接 4 根)

 $6\text{mm}^2/35\text{A}$ (每个柱状端子最多能接 2 根)

 接地端子: $2 \times 4\text{mm}^2$

外壳材料: 聚酰胺

Corrosion-proof mark: WF2

Degree of protection: IP66

 Ambient temperature: $-40^{\circ}\text{C} < \text{Ta} < 55^{\circ}\text{C}$

Rated voltage: Max AC 690V

Rated current: Max 35A

Type of terminal: Pole type

Cross section of terminal:

 $4\text{mm}^2/25\text{A}$ (The most conductors which can be connected to the pole type terminal are four wires.

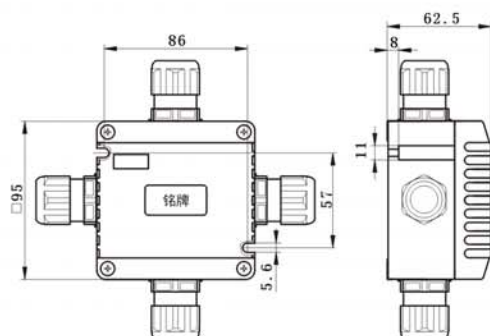
 $6\text{mm}^2/35\text{A}$ (The most conductors which can be connected to the pole type terminal are two wires.

 Earthing terminal: $2 \times 4\text{mm}^2$

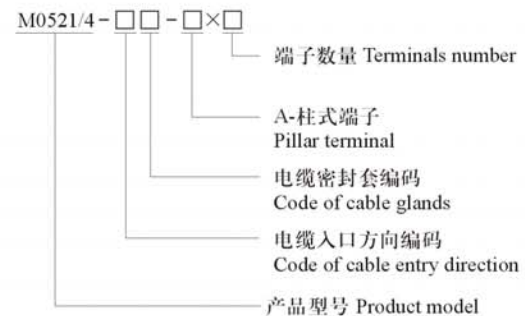
Material: Polyamide

订购规格 Order specifications:

图样 Illustration	方案 Method	电缆入口 Cable entries		订购号 Order No.
		塑制电缆密封套/电缆外径 Moulded plastics cable gland / Cable outside diameter	塑制空塞堵头 Moulded plastics stopping plugs	
				M0521 0000 4000
		$2 \times \text{M20} / \Phi 5.5\text{-}13\text{mm}$	$1 \times \text{M20}$	M0521/4-2120-A604
		$2 \times \text{M25} / \Phi 8\text{-}17\text{mm}$	$1 \times \text{M25}$	M0521/4-2125-A604
		$3 \times \text{M20} / \Phi 5.5\text{-}13\text{mm}$	$1 \times \text{M20}$	M0521/4-3120-A604
		$3 \times \text{M25} / \Phi 8\text{-}17\text{mm}$	$1 \times \text{M25}$	M0521/4-3125-A604
		$4 \times \text{M20} / \Phi 5.5\text{-}13\text{mm}$		M0521/4-4020-A604
		$4 \times \text{M25} / \Phi 8\text{-}17\text{mm}$		M0521/4-4025-A604

外形尺寸 Outline dimensions:

其它形式的订购规格:

Order specifications of other forms:



- 电缆密封套的技术参数和编码详见 B1/24、B/41 ~ B/61 页。

如选配黄铜接地螺母详见 B/61 页。

- See page of B1/24, B/41 ~ B/61 for technical specifications and codes of cable gland.

Brass earthing plate, please see the page B/61.

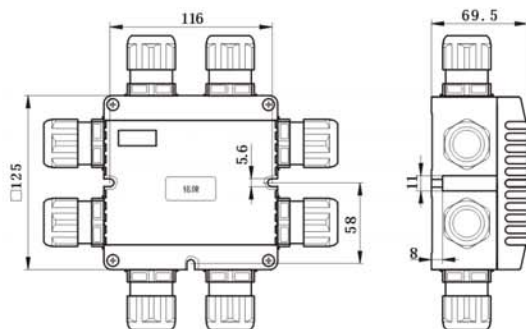
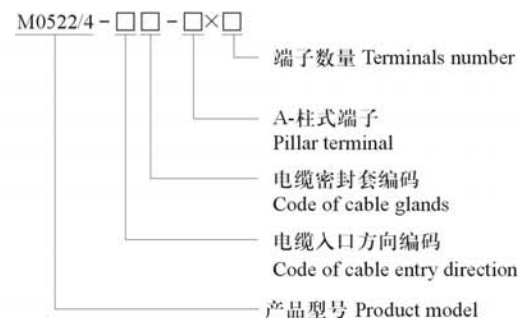
主要数据 Main technical data:

防腐标志: WF2
 防护等级: IP66
 使用环境温度: $-40^{\circ}\text{C} \leq \text{Ta} \leq 55^{\circ}\text{C}$
 额定电压: 最大 AC 690V
 额定电流: 最大 35A
 端子型式: 柱式
 端子截面: $4\text{mm}^2/25\text{A}$ (每个柱状端子最多能接 4 根)
 $6\text{mm}^2/35\text{A}$ (每个柱状端子最多能接 2 根)
 接地端子: $2 \times 4\text{mm}^2$
 外壳材料: 聚酰胺

Corrosion-proof mark: WF2
 Degree of protection: IP66
 Ambient temperature: $-40^{\circ}\text{C} \leq \text{Ta} \leq 55^{\circ}\text{C}$
 Rated voltage: Max AC 690V
 Rated current: Max 35A
 Type of terminal: Pole type
 Cross section of terminal:
 $4\text{mm}^2/25\text{A}$ (The most conductors which can be connected to the pole type terminal are four wires.
 $6\text{mm}^2/35\text{A}$ (The most conductors which can be connected to the pole type terminal are two wires.
 Earthing terminal: $2 \times 4\text{mm}^2$
 Material: Polyamide

订购规格 Order specifications:

图样 Illustration	方案 Method	电缆入口 Cable entries		订购号 Order No.
		塑制电缆密封套/电缆外径 Moulded plastics cable gland / Cable outside diameter	塑制空塞堵头 Moulded plastics stopping plugs	
				M0522 0000 4000
		$4 \times \text{M20} / \Phi 5.5\text{-}13\text{mm}$		M0522/4-4020-A608
		$4 \times \text{M25} / \Phi 8\text{-}17\text{mm}$		M0522/4-4025-A608
		$4 \times \text{M32} / \Phi 12\text{-}21\text{mm}$		M0522/4-4032-A608
		$6 \times \text{M20} / \Phi 5.5\text{-}13\text{mm}$		M0522/4-6020-A608
		$6 \times \text{M25} / \Phi 8\text{-}17\text{mm}$		M0522/4-6025-A608
		$6 \times \text{M32} / \Phi 12\text{-}21\text{mm}$		M0522/4-6032-A608
		$8 \times \text{M20} / \Phi 5.5\text{-}13\text{mm}$		M0522/4-8020-A608
		$8 \times \text{M25} / \Phi 8\text{-}17\text{mm}$		M0522/4-8025-A608
		$8 \times \text{M32} / \Phi 12\text{-}21\text{mm}$		M0522/4-8032-A608

外形尺寸 Outline dimensions:

其它形式的订购规格:
Order specifications of other forms:


● 电缆密封套的技术参数和编码详见 B1/24、B/41 ~ B/61 页。
 如选配黄铜接地螺母详见 B/61 页。

● See page of B1/24, B/41 ~ B/61 for technical specifications and codes of cable gland.
 Brass earthing plate, please see the page B/61.