

主要数据 Main technical data:

认证 Certification | 防爆标志 Ex mark | 符合标准 Meet the standard

China (PCEC Ex)	Ex de IIC T6 Gb	GB3836 GB12476
IECEX	Ex de IIC T6 Gb Ex t IIIC T 80°C Db	IEC60079
ATEX	Ex de IIC T6 Gb Ex t IIIC T 80°C Db	EN60079

适用范围：用于 1 区、2 区、21 区和 22 区

Intended use: Can be used in zone 1, zone 2, zone 21 and zone 22

使用环境温度：-40°C ≤ Ta ≤ 55°C

Ambient temperature use: -40°C ≤ Ta ≤ 55°C

防护等级：IP66 (配合操作头)

Degree of protection: IP66 (Match operation head)

 接线端子：2 × 2.5mm²

 Terminals: 2 × 2.5mm²

按钮额定电压/额定电流：AC 250V/6A DC24V/1A

Button Rated voltage/Rated current: AC250V/6A DC24V/1A

信号灯额定电压：AC/DC 12-250V

Signal lamp Rated voltage: AC/DC 12-250V

电缆引入外径：Φ5.5 ~ 13mm

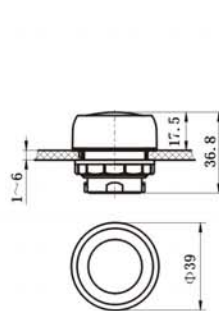
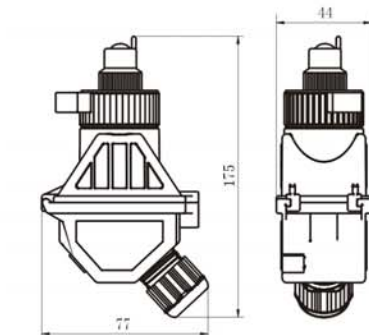
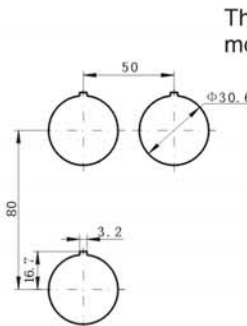
Cable entry outer diameter: Φ5.5 ~ 13mm.

符合：CE 0575

Conformity to: CE 0575

订购规格 Order specifications:

	操作头颜色 Colour of operation head	按钮触点/信号灯电压 Button contact / the voltage of signal lamp	订购号 Order No.
	红 Red	 12V - 250V AC/DC	CZ0212-PR 9301 CZ0212-PG 9301 CZ0212-PY 9301 CZ0212-PB 9301 CZ0212-PW 9301
绿 Green			
黄 Yellow			
兰 Blue			
白 White			
红 Red	 12V - 250V AC/DC	CZ0212-PR 9401 CZ0212-PG 9401 CZ0212-PY 9401 CZ0212-PB 9401 CZ0212-PW 9401	
绿 Green			
黄 Yellow			
兰 Blue			
白 White			

外形尺寸 Outline dimensions:

 P□ 信号灯带按钮操作头
P□ Operation head of signal lamp with button

 CZ0212 面板式安装防爆信号灯带按钮模块
CZ0212 Explosion-proof signal lamp with button module for panel mounting

 安装间距
Mounting pitches

面板式安装外形尺寸

The outline dimensions for panel mounting

