

主要数据 Main technical data:

认证 Certification | 防爆标志 Ex mark | 符合标准 Meet the standard

China (PCEC Ex)	Ex e II DIP A21	GB3836 GB12476
IECEX	Ex e II Ex tD A21	IEC60079
ATEX	II 2 GD Ex e II Ex tD A21	EN60079

适用范围: 用于 1 区和 2 区, 20 区, 21 区和 22 区

Intended use: Can be used in zone 1 and zone 2

 使用环境温度: $-40^{\circ}\text{C} < \text{Ta} < 55^{\circ}\text{C}$

Can be used in zone 20, zone 21 and zone 22

防护等级: IP66

 Ambient temperature: $-40^{\circ}\text{C} < \text{Ta} < 55^{\circ}\text{C}$


材料: 尼龙塑料

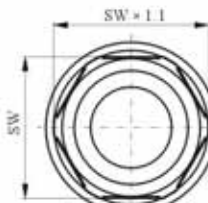
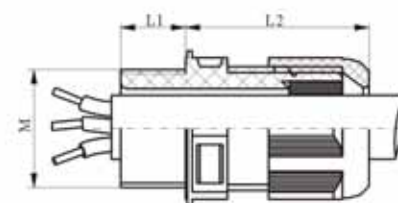
Degree of protection: IP66

Material: nylon plastic

订购规格 Order specifications:

CZ0220 e 电缆密封套 Cable gland

图样 Illustration	编码 Code	入口螺纹 Entry thread	电缆直径 Diameter of cable	SW	螺纹长度 L1 Length of thread L1	长度 L2 Length L2	订购号 Order No.
 Ex-e 4024 专用扳手 Special spanner	A03	M25 × 1.5	Φ8-17	29	11	36	CZ0220 2511 e103
	A04	M32 × 1.5	Φ12-21	36	12	43	CZ0220 3212 e104

CZ0223 塑制空塞堵头 CZ0223 Plastic stopping plugs
主要数据 Main technical data:

认证 Certification | 防爆标志 Ex mark | 符合标准 Meet the standard

China (PCEC Ex)	Ex e II Gb DIP A21	GB3836 GB12476
IECEX	Ex e II Gb Ex tD A20	IEC60079

适用范围: 用于 0 区, 1 区和 2 区

Intended use: Can be used in zone 0, zone 1 and zone 2

用于 20 区, 21 区和 22 区

Can be used in zone 20, zone 21 and zone 22

 使用环境温度: $-40^{\circ}\text{C} < \text{Ta} < 55^{\circ}\text{C}$

Degree of protection: IP66


防护等级: IP66

 Ambient temperature: $-40^{\circ}\text{C} < \text{Ta} < 55^{\circ}\text{C}$

材料: 尼龙塑料

Material: nylon plastic

订购规格 Order specifications:

图样 Illustration	编码 Code	M	L1	L	DΦ	订购号 Order No.
	H03	M25 × 1.5	15	4	31.9	CZ0223 2515 e103
	H04	M32 × 1.5	16	5.5	39.6	CZ0223 3216 e104

