



描述

防爆LED泛光灯外壳由铝合金压铸成型，表面喷涂纯环氧树脂粉末，抗腐蚀性能好。透明罩采用硼硅酸盐钢化玻璃，外露紧固件采用不锈钢材料。防爆灯的接线盒从下面进线，适用于橡胶套和铠装电缆布线，内部接线端子选用菲尼克斯国际认证笼式端子，便于接线。防爆灯具内装Cree LED颗粒，经专业的光学配光设计组成光源模块，灯具散热结构经专业的热学分析设计及特制铝基板导热结构，确保灯具工作时所产生的热量能很好的散热。能满足石化、化学和海上工业照明的相关要求。

防爆灯可分为泛光灯和马路灯。

- 节能环保，耗电仅为相同亮度白炽灯的19%
- 长寿命免维护，使用寿命长达50000小时，可实现长期免维护
- 具有良好的电磁兼容性，不会对系统电网造成干扰
- 电压波动无影响，可工作在200 - 240V Ac宽电压范围内
- LED属于固态光源，抗震性能佳
- 温度范围广，可工作在-40℃ - +55℃ 环境温度范围内
- 防护等级高达IP66
- 安装维护方便

2 区

Zone 2

21 区和 22 区

Zone 21 and zone 22

Descriptions:

The enclosures of LED explosion-proof floodlight fittings are manufactured of die-cast aluminum alloy, with epoxy resin powder sprayed on the surfaces. Therefore, they have good anti-corrosion performance. The transparent shield is made by the toughened glass borosilicate, and the exposed fasteners are made of stainless steel. Explosion-proof light fitting's terminal box bottom entry, is suitable for rubber-coated and the armored cable wiring. The internationally certified PHOENIX cage type terminals are selected as the internal terminals, which are convenient for wiring. Cree LED pellets inside form light source modules through professional optics distribution. Heat disposal which is designed with thermology analysis and the heat-conducting structure of specially made aluminum base board ensure good operational heat release. It can satisfy the related requirements of illumination in petrochemical, chemical and marine industries.

Explosion-proof light fittings can be sorted as: floodlight type lamp and street type lamp.

- It is energy-saving and environmental protection which the power consumption is only 19% of the same brightness of incandescent lamp.
- It is long life and maintenance-free which the service life is up to 50000 hours and the maintenance-free of long term.
- There is a feature of good electromagnetic compatibility and it does not cause interference to the system power grid.
- It is not influenced by the voltage fluctuations and can be operated in the wide voltage range of 200 - 240V AC.
- There is a good performance of vibration due to the LED is the solid-state light source.
- There is a wide range of ambient temperature, which can be operated in the ambient temperature range of -40℃ - +55℃.
- The degree of protection is up to IP 66.
- It is convenient to be mounted and maintained.

● 主要数据 Main technical data:

认证 Certification | 防爆标志 Ex mark | 符合标准 Meet the standard

China (CQST Ex)	Ex nR II C T* Ge DIP A21 TA,T*	GB3836 GB12476
IECEX	Ex nR II C T* Ge Ex tb III C T* C Db 认证中 (In certification)	IEC60079
ATEX	Ex nR II C T* Ge Ex tb III C T* C Db 认证中 (In certification)	EN60079

适用范围: 用于 2 区; 用于 21 区和 22 区

防护等级: IP66

额定电压: 200V~240V AC 50/60Hz

使用环境温度: -40℃ to +40℃/+55℃

 接线端子: L1, N 笼式端子 2-2.5mm², PE 端子 2 × 10mm²

 电缆入口: (标配) 塑料 1 × M25 × 1.5, 电缆外径: Φ8-17mm
 塑料 1 × M25 × 1.5 空塞堵头

Intended use: Can be used in zone 2

Can be used in zone 21 and zone 22

Degree of protection: IP66

Rated voltage: 200V~240V AC 50/60Hz

Ambient temperature: -40℃ to +40℃/+55℃

 Terminal: L1, N cage type terminal 2-2.5mm², PE terminal: 2 × 10mm²

 Cable entry: (Standard configuration) Moulded plastic 1 × M25 × 1.5,
 Outside diameter: Φ8-17mm
 Moulded plastic 1 × M25 × 1.5 stopping plug

● 订购规格 Order specifications:

B—泛光灯
B—Floodlight type lamp

F—马路灯
F—Street type lamp

光源代号 Light source code	功率 Power	温度组别T* Temperature class*		重量 Weight	订购号 Order No.
		Ta ≤ 40℃	Ta ≤ 55℃		
LED 灯 LED Lamp	120W	T6	T5	18kg	CZ0878n/□-LED120W+□
	160W	T6	T5	18kg	CZ0878n/□-LED160W+□
	200W	T6	T5	18kg	CZ0878n/□-LED200W+□

灯具安装形式 The mounting ways of the light fittings

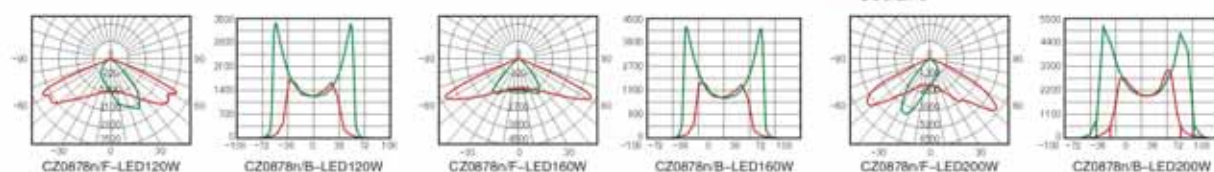
B—泛光灯 B—Floodlight type lamp
F—马路灯 F—Street type lamp

电缆引入装置编码 Code of cable gland

● 电缆引入装置编码 Code of cable gland

编码 Code	规格 Specification	电缆直径 Cable diameter
B	塑料 1 个 M25 × 1.5 电缆密封套, 塑料 1 个 M25 × 1.5 空塞堵头 One moulded plastic M25 × 1.5 cable gland, one moulded plastic M25 × 1.5 stopping plug	Φ8-17mm
C	铜制 1 个 CZ0221/M25 × 1.5 金属电缆密封套, 塑料 1 个 M25 × 1.5 空塞堵头 One brass CZ0221/M25 × 1.5 metal cable gland, one moulded plastic M25 × 1.5 stopping plug	Φ8-17mm
D	塑料 2 个 M25 × 1.5 电缆密封套 Two moulded plastic M25 × 1.5 cable glands	Φ8-17mm
E	铜制 2 个 CZ0221/M25 × 1.5 金属电缆密封套 Two brass CZ0221/M25 × 1.5 metal cable glands	Φ8-17mm
F	铜制 1 个 CZ0227/M25 × 1.5-G ^{3/4} 增安型金属电缆密封套, 塑料 1 个 M25 × 1.5 空塞堵头 One brass CZ0227/M25 × 1.5-G ^{3/4} increasd safety metal cable gland, one moulded plastic M25 × 1.5 stopping plug	Φ11-15mm
G	铜制 2 个 CZ0227/M25 × 1.5-G ^{3/4} 增安型金属电缆密封套 Two brass CZ0227/M25 × 1.5-G ^{3/4} increasd safety metal cable glands	Φ11-15mm
H	铜制 1 个 CZ0226/M25 × 1.5-(G02) 增安型金属电缆密封套(填料函), 塑料 1 个 M25 × 1.5 空塞堵头 One brass CZ0226/M25 × 1.5-(G02) increasd safety metal cable gland (stopping boxes), one moulded plastic M25 × 1.5 stopping plug	Φ11.5-16mm
I	铜制 2 个 CZ0226/M25 × 1.5-(G02) 增安型金属电缆密封套(填料函) Two brass CZ0226/M25 × 1.5-G02 increasd safety metal cable glands (stopping boxes)	Φ11.5-16mm

注: 马路灯安装附件详见第 115 页, Accessories for street type lamp see page 115.

● 配光曲线 Luminous intensity distribution curve: 光强单位 luminous intensity unit: cd


• 防爆马路灯灯杆订购规格 The order specification of explosion-proof terminal box

图样 Illustration	描述 Descriptions	编码 Order No.
	单臂灯杆 Lamp pole of single arm	AH□+□
	双臂等长灯杆 Lamp pole of double arms with equal length	BH□+□
	双臂不等长灯杆 Lamp pole of double arms with non-equal length	CH□+□

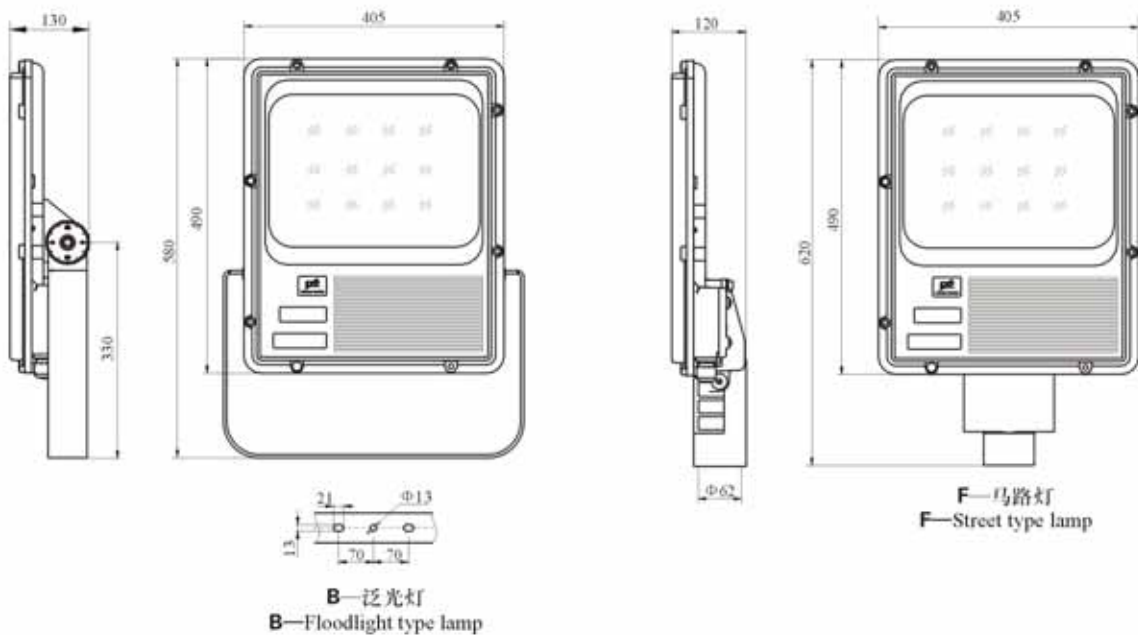
灯杆高度
The height of lamp pole

- 6m
- 8m
- 10m
- 12m
- 15m

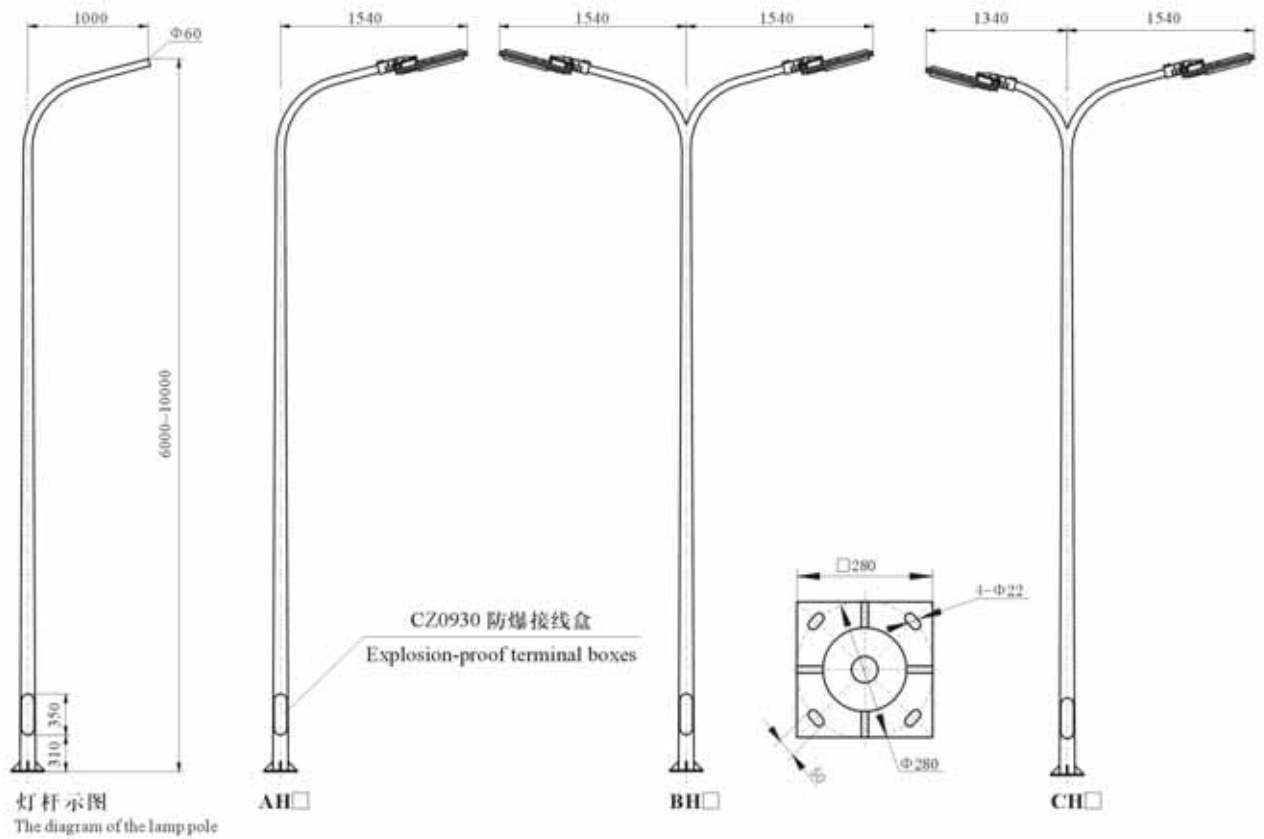
• CZ0930 防爆接线盒订购规格 The order specification of explosion-proof terminal box

图样 Illustration	描述 Descriptions	电缆入口 Cable entries			编码 Order No.
		进线口电缆 The inlet cable	进线口数量 The number of inlets	出线口数量 The number of outlets	
	单灯 配一个熔断器 Single lamp equipped with one fuse	橡胶套电缆 Rubber-coated cable	2 × M32 塑料电缆密封套 Moulded plastic cable gland	1 × M25 塑料电缆密封套 Moulded plastic cable gland	10
		铠装电缆 Armoured cable	2 × M32 铜制电缆密封套 Brass cable gland	1 × M25 铜制电缆密封套 Brass cable gland	11
	双灯 配二个熔断器 Double lamps equipped with two fuses	橡胶套电缆 Rubber-coated cable	2 × M32 塑料电缆密封套 Moulded plastic cable gland	2 × M25 塑料电缆密封套 Moulded plastic cable gland	20
		铠装电缆 Armoured cable	2 × M32 铜制电缆密封套 Brass cable gland	2 × M25 铜制电缆密封套 Brass cable gland	21

• 外形及安装尺寸 Outline and installation dimensions:



● 安装形式和外形尺寸 Mounting ways and outline dimensions:



● 基础示意图 Base diagram:

此基础图用于灯杆高度10米以下的路灯基础。

This base diagram is used for the lamp hole with height less than 10 meters.

